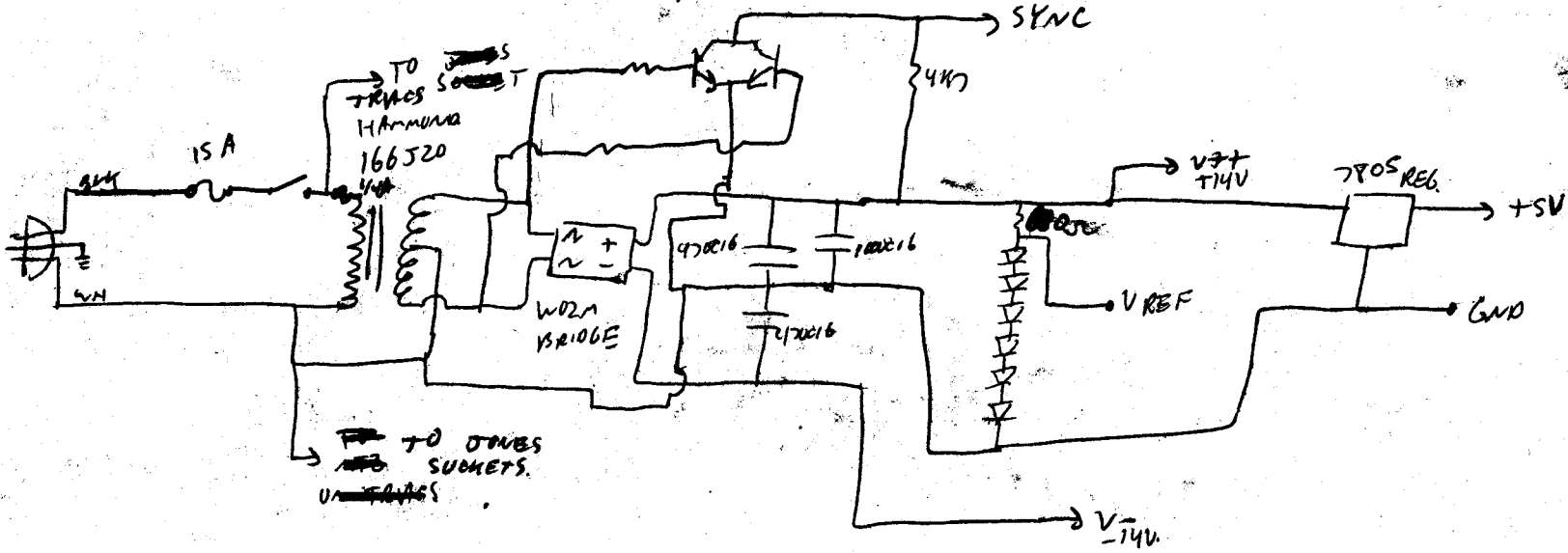
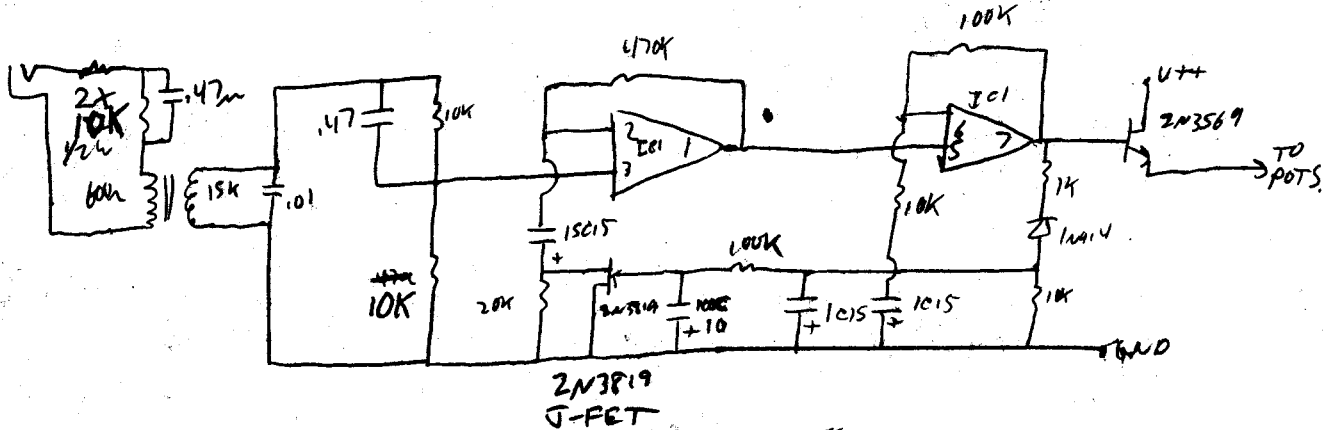


DIMMING COLOR ORGAN. POWER SUPPLY



AGC SECTION



V+ TO PINS 8 ON 1458'S
AND TO PIN 11 ON 4136'S
V- TO PINS 4 ON 1458'S
PIN 7 ON 4136'S

Dec 2/77

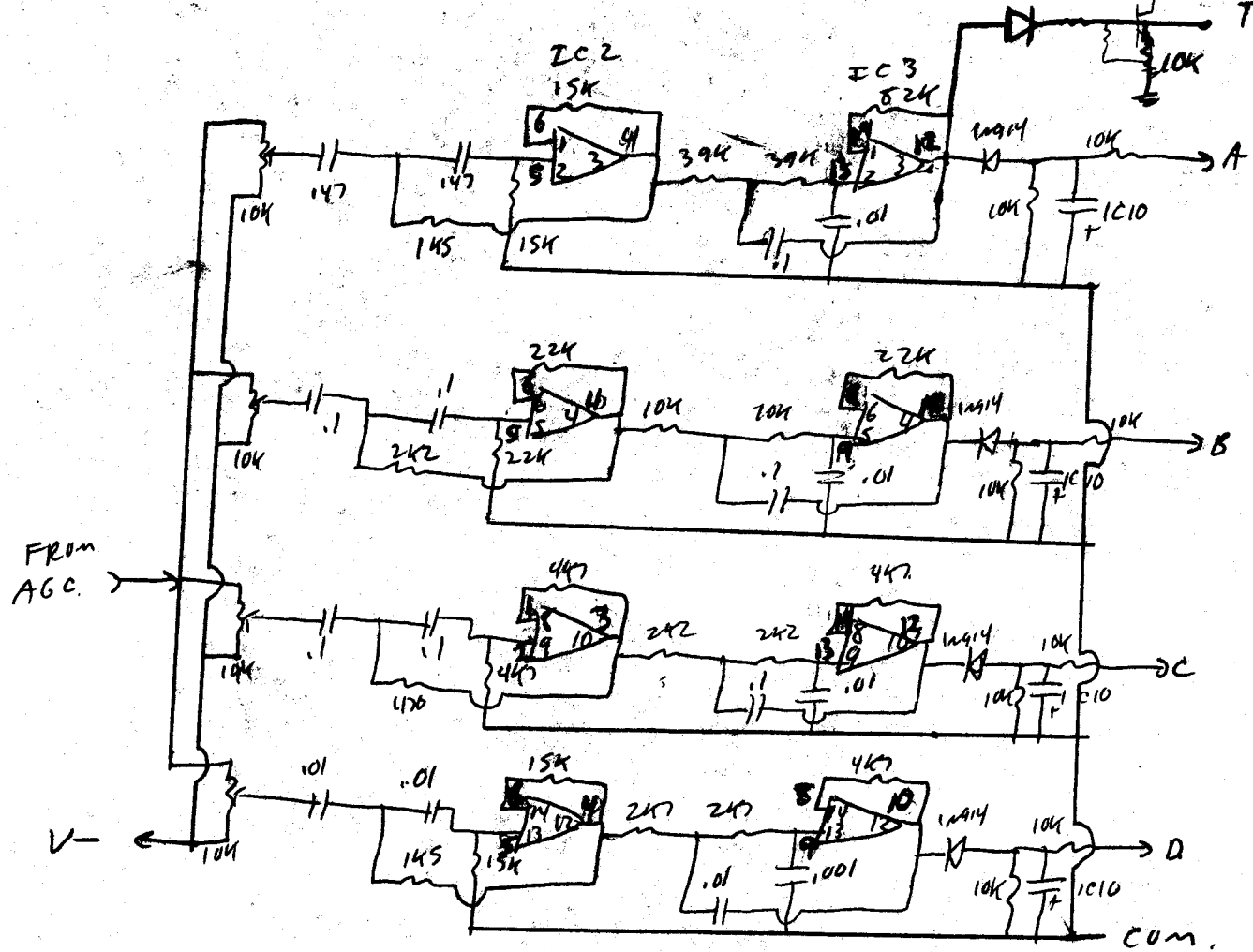
D. F. rose

Lamps actually brighten & dim in response to volume of each band of frequencies in the music.

DIMMING COLOR ORGAN

FILTER SECTION

2/S
AUDIO TRIGGER SIGNAL TO DIGITAL BOARD.



TO DIM SECTION

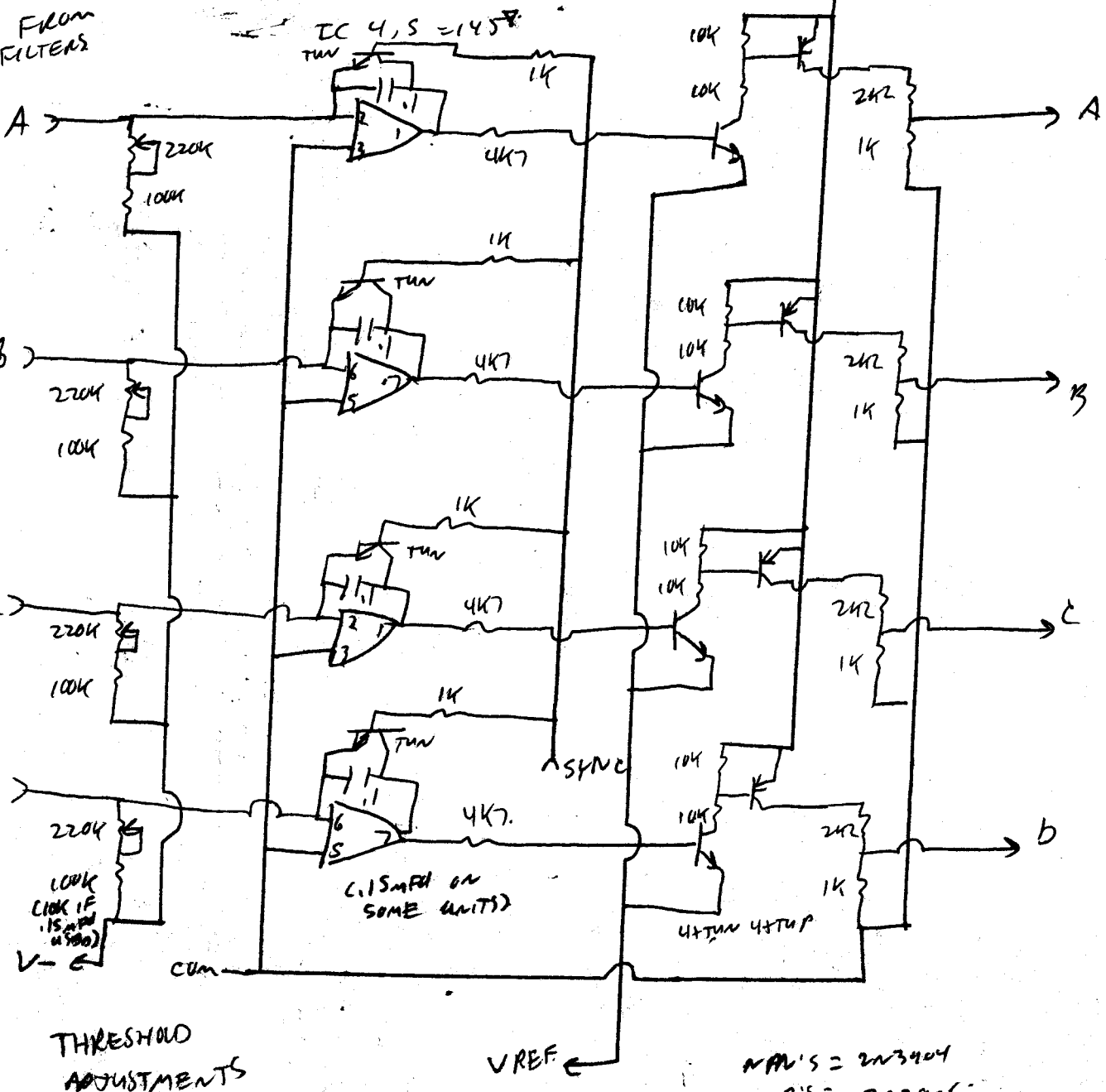
FROM AGC

IC 2, 3 = 4136
POWER PINS 9-11+

Dec 2/77
D. Frose

DMMW6 COLOR ORGAN

DIMMING + TTL INTERFACE SECTIONS

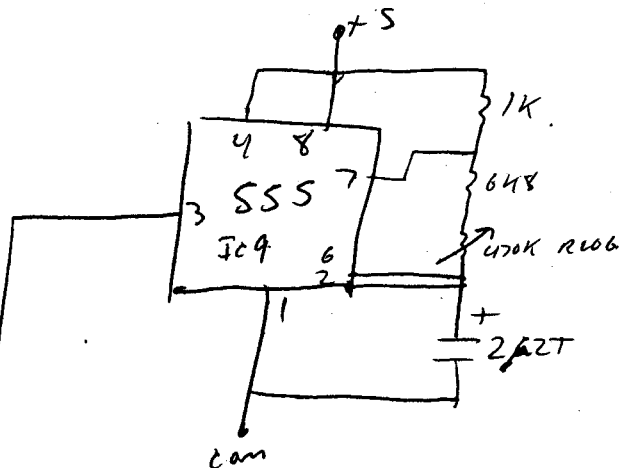
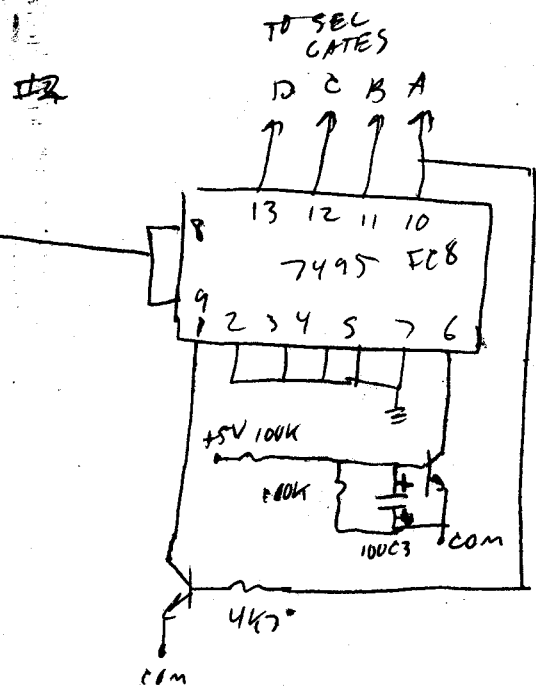
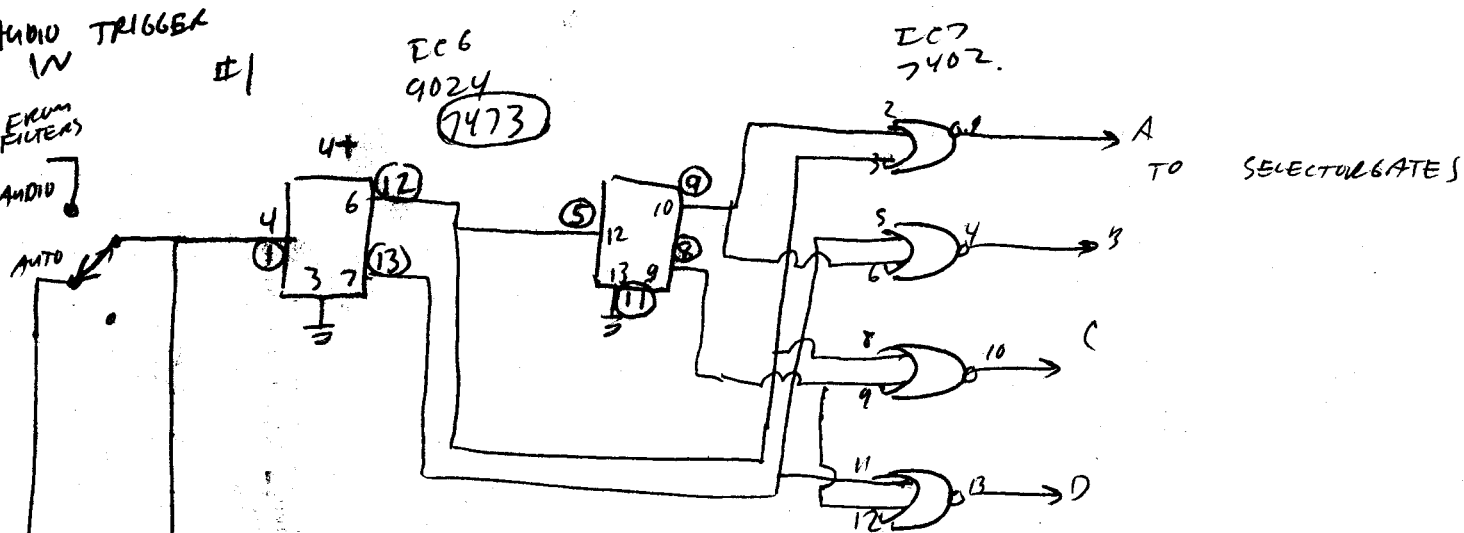


TO SELECTOR GATE ON DIGITAL BOARD.

Dec 2/77
D. F. [Signature]

NPN'S = 2N3904
PNP'S = 2N3906

DIMMING COLOR ORGAN CHASE EFFECTS GENERATOR CIRCUITS



Dec 2/77
D A [signature]

DIMMING COLOR ORGAN.

SELECTOR + OUTPUT C CT

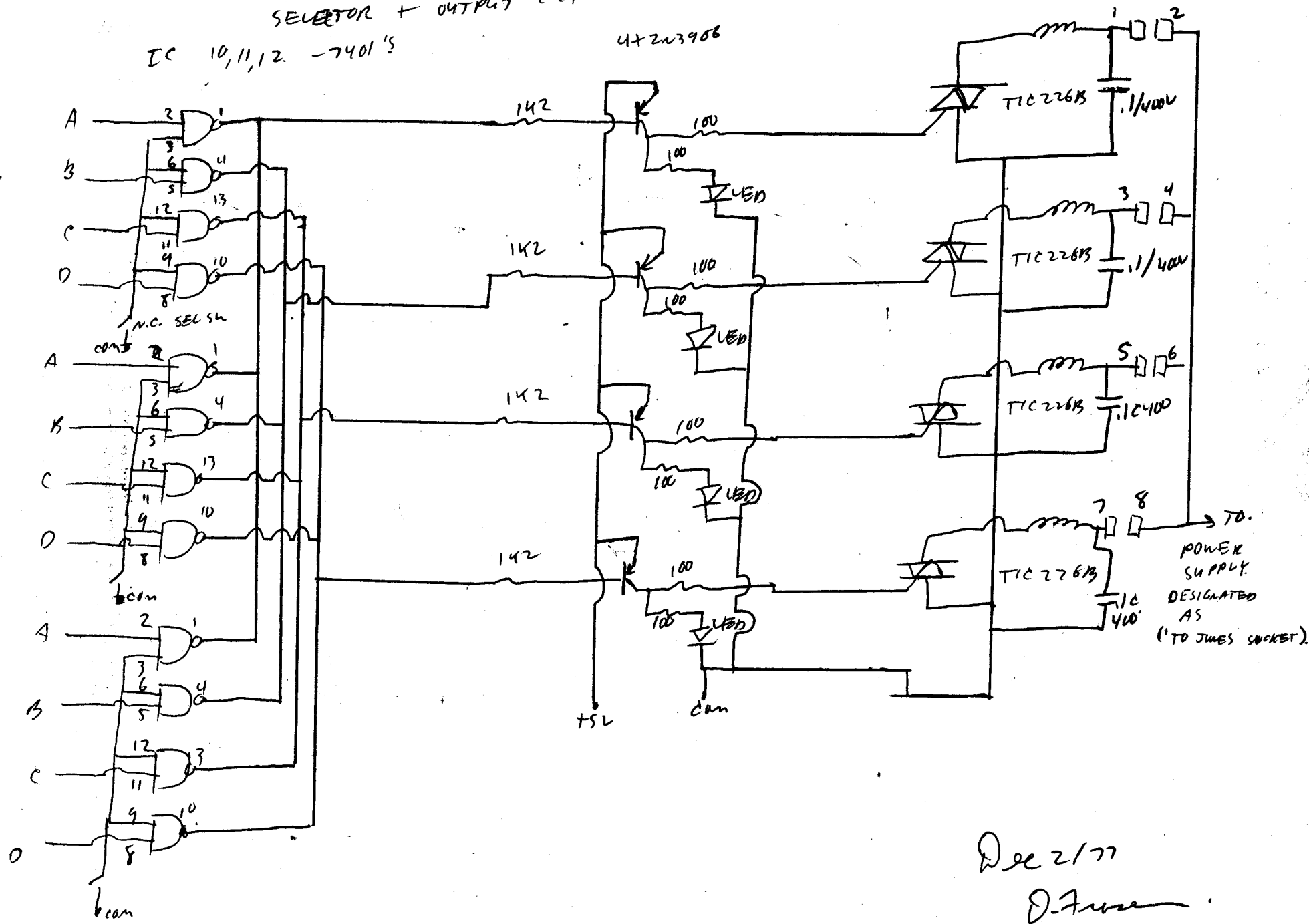
IC 10, 11, 12 - 7401'S

4x2N3906

FROM S/L.

FROM IC 7.

FROM IC 8.



TO POWER SUPPLY DESIGNATED AS (TO JAMES SOCKET)

Dec 2/77
D. F. ...